


Pirate Radio

Yeah you are not trippin'. You can easily make a FM Transmitter out of your Raspberry Pi! You don't even need hardware hacking skills. It's an out-of-the-box feature.

First you need to download this binary which does all the magic for you: PiFM.tar.gz

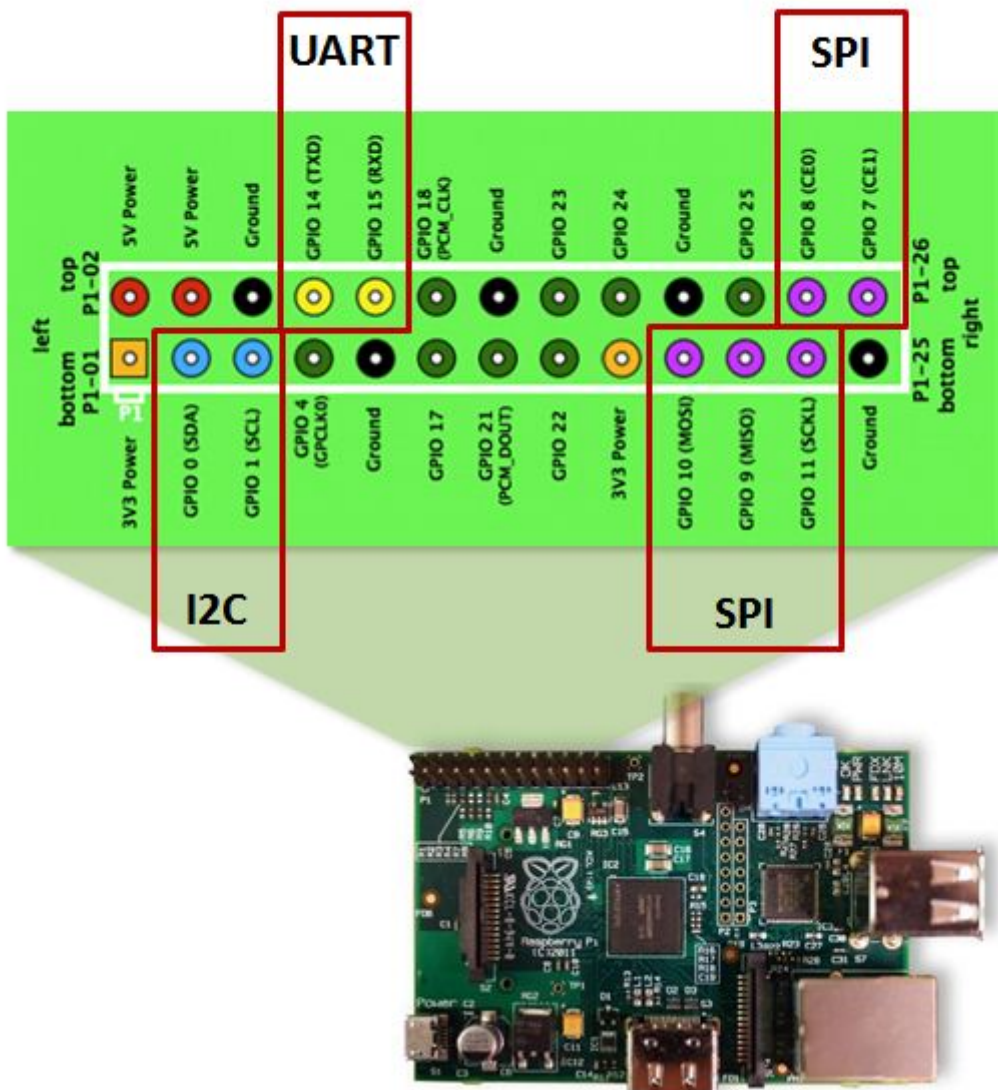
Run it with `sudo ./pifm sound.wav 100.23`

The last bit of the command is the frequency you want to use. You can also jam nearby radios as your signal will be a lot stronger than the "normal" radio signals on this very frequency.

 sound.wav must be a 16 bit mono wav

Now you want to reach a bigger area. You can achieve this by simply attaching a plain wire (+- 20cm) to the **GPIO4** (CPCLK0) which will act as an antenna. Use a paperclip to held the wire against the pin. For a final solution you can weld it all together.

Raspberry Pi (Revision 1) GPIO Pin Out



From:

<https://wiki.c3l.lu/> - **Chaos Computer Club Lëtzebuerg**

Permanent link:

<https://wiki.c3l.lu/doku.php?id=projects:hardware:pirateradio>

Last update: **2021/10/10 23:05**

